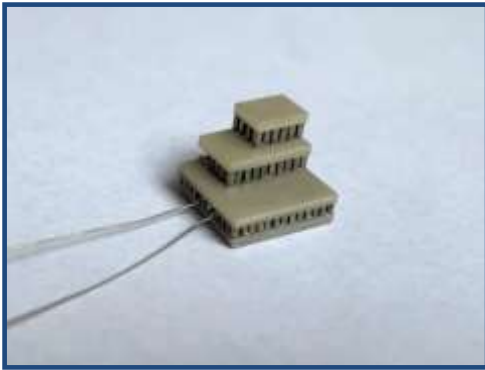




ENGINEERING & PRODUCTION

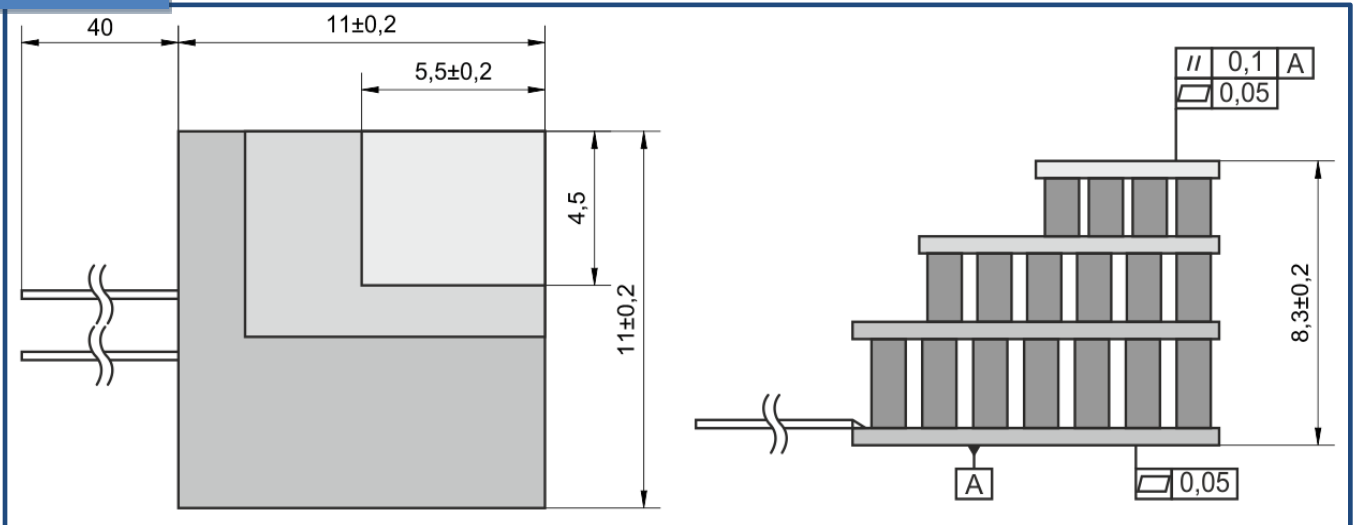


Thermoelectric Cooling Module TECB-24/3-(8.9-1.05-1.3)-11-5.5/4.5-108

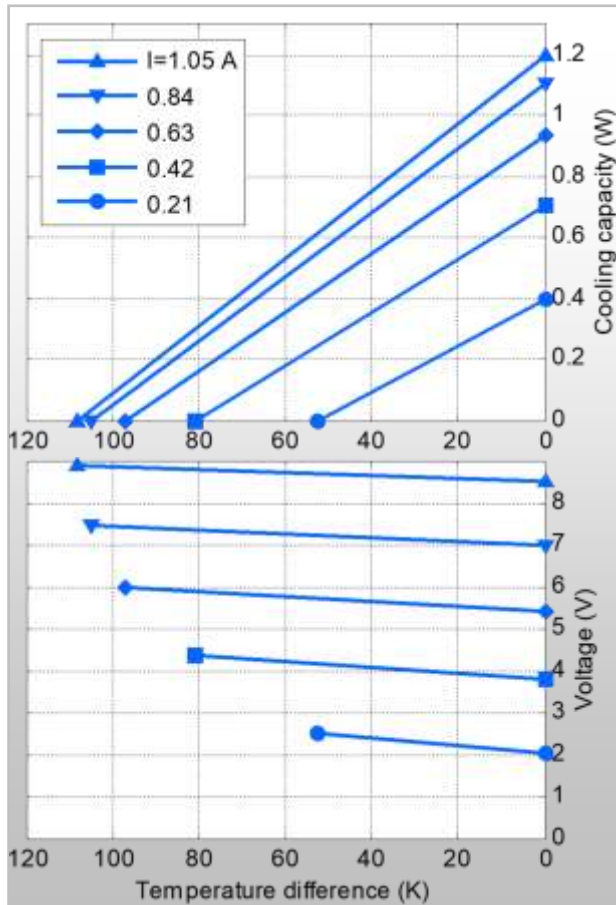
Performance specifications

Hot side temperature T_h (°C)	25	50
ΔT_{max} (°C)	108	123
Q_{max} (Watts)	1.3	1.45
I_{max} (Amps)	1.05	1.05
V_{max} (Volts)	8.9	9.9
Module resistance (Ohms)	8.1	9.0

Drawing



Performance Graphs at $T_h=25^\circ\text{C}$



Performance Graphs at $T_h=50^\circ\text{C}$

